

Project:



**Scan for more info!**

Owners manual  
Quick install  
Quick sizing  
Install layout  
Parts list

## **CBR-V3-SSX**

**Draft tower, 3 valves, pull handle  
Self-closing faucets**

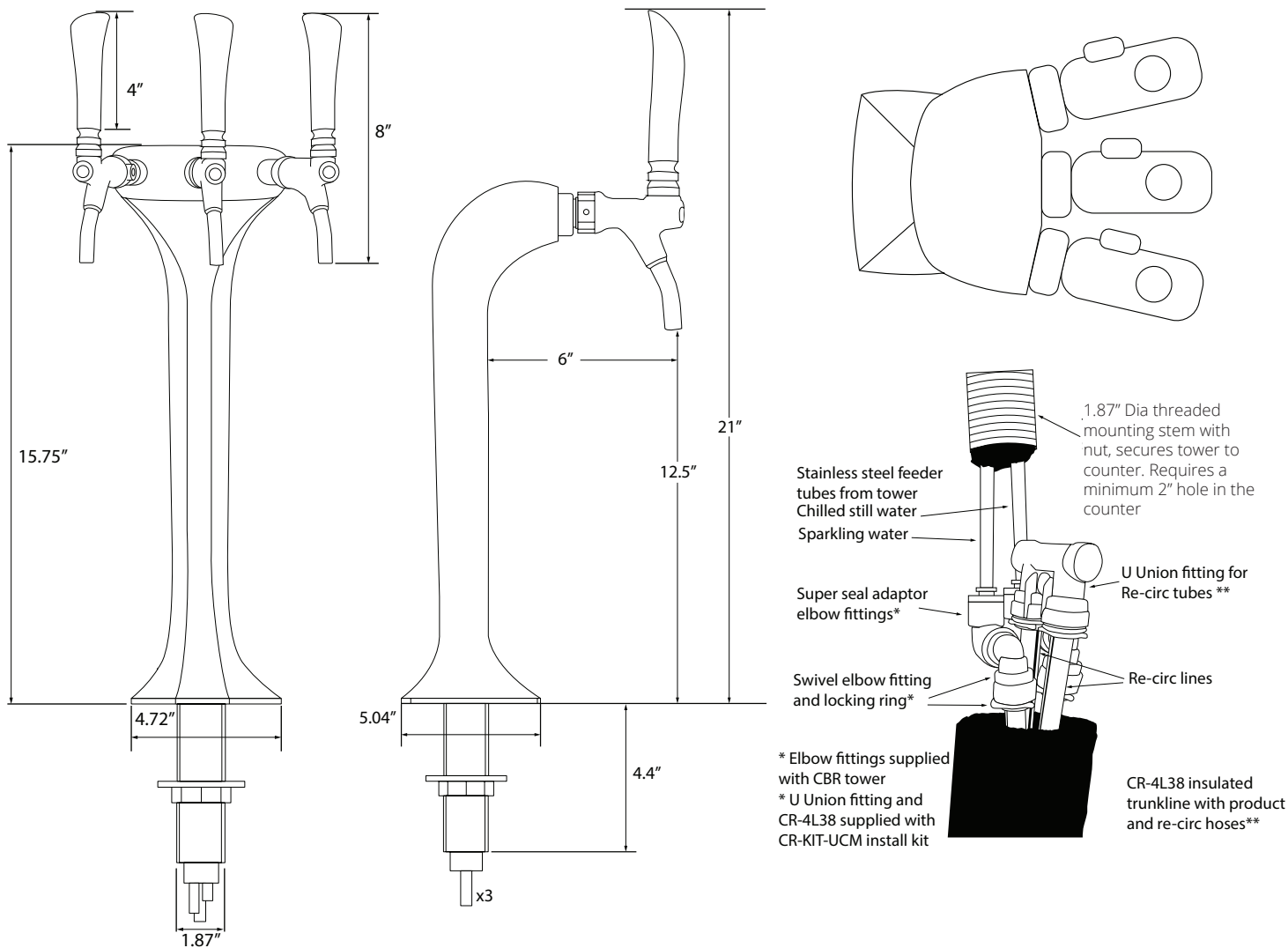


**Sparkling, chilled still & still water**  
**Three faucet tower options:**

- CBR-V3C-SSX Chrome finish
- CBR-V3BLC-SSX Black Chrome finish

### **Specifications**

- Featuring stainless steel pull handle SSX faucets and all stainless steel tubing
- Flow rate is adjustable up to 2 oz per second and can be locked
- Self-closing when handles are released. Can be converted to stay-open function
- Downward pointing nozzles
- Bottle filling clearance: 12.5"
- Tower height (including 4" faucet handles): 21"
- Ergonomic grip handles
- Supplied with quick connect fittings for easy hook-up to our CR-4L38 trunkline along with ambient temp filtered water tubing and splice fittings
- Comes with base gasket for water tight seal to counter
- For use and pairing with all Crysalli Remote Chillers
- Weight: 16 lbs



## Accessories

- **CR-100301-C**  
Optional chrome handles



- **CBR2-FKM-V3**  
Install fitting kit for connecting two CBR-V3 towers to one remote UCM chiller



- **RDP-3-SSQ**  
Recessed drain pan



- **CR-MDLN-V3**  
Optional medallion kit



Overall 15" Wide x 18.125" Deep  
Flush mount on counter with splash zone. Cup rest locators in drain grate. Requires square cut for drain pan and hole cut for tower

