

CBR-V1-SDLX

Single Valve Draft Tower with Sanitary Dispense Lever



Single-valve draft tower designed for dispensing sparkling water or chilled still water with a sanitary dispense lever (SDLX) for improved hygiene or ADA requirements in self-service or high-traffic environments. Built with 304 all stainless steel beverage tubing and includes quick-connect hookup to CR-4L38 trunkline. Designed to pair with all Crysalli remote chillers.





Features

- 304 Stainless steel SSX faucet
- 304 Stainless steel sanitary dispense lever (SDLX) for touchless, cup-to-lever activated dispense
- ADA-friendly, one-handed into cup dispensing and low activation height
- 304 All stainless steel beverage tubing
- Adjustable flow up to 2 oz/sec and lockable
- Self-closing when lever or handle are released
- Downward-pointing nozzle
- Bottle filling clearance: 12.375"
- Ergonomic grip handles or SS knobs
- Base gasket included for watertight counter seal
- For use with all Crysalli remote chillers

Model Options

- CBR-V1C-SDLX: Chrome finish
- CBR-V1BLC-SDLX: Black chrome finish

Accessories

- Handles:
 - CR-100301-C: Optional chrome handles 
- Medallions:
 - CR-MDLN-V1: Optional medallion kit 
- Drain pans:
 - DP-CT: Stainless countertop mount drain pan, 1/2" direct-plumb drain tube 
 - DP-CT-LD: Drip pan, less drain, with rubber feet
 - RDP-1SSQ-1CL: Recessed drain pan, 12"W x 15.125"D, flush mount with splash zone and cup rest locators. Requires square cut for drain pan and hole cut for tower
- Install kit:
 - CBR2-FKM-V2: install fitting kit for connecting two CBR-V2 towers to one remote UCM chiller 



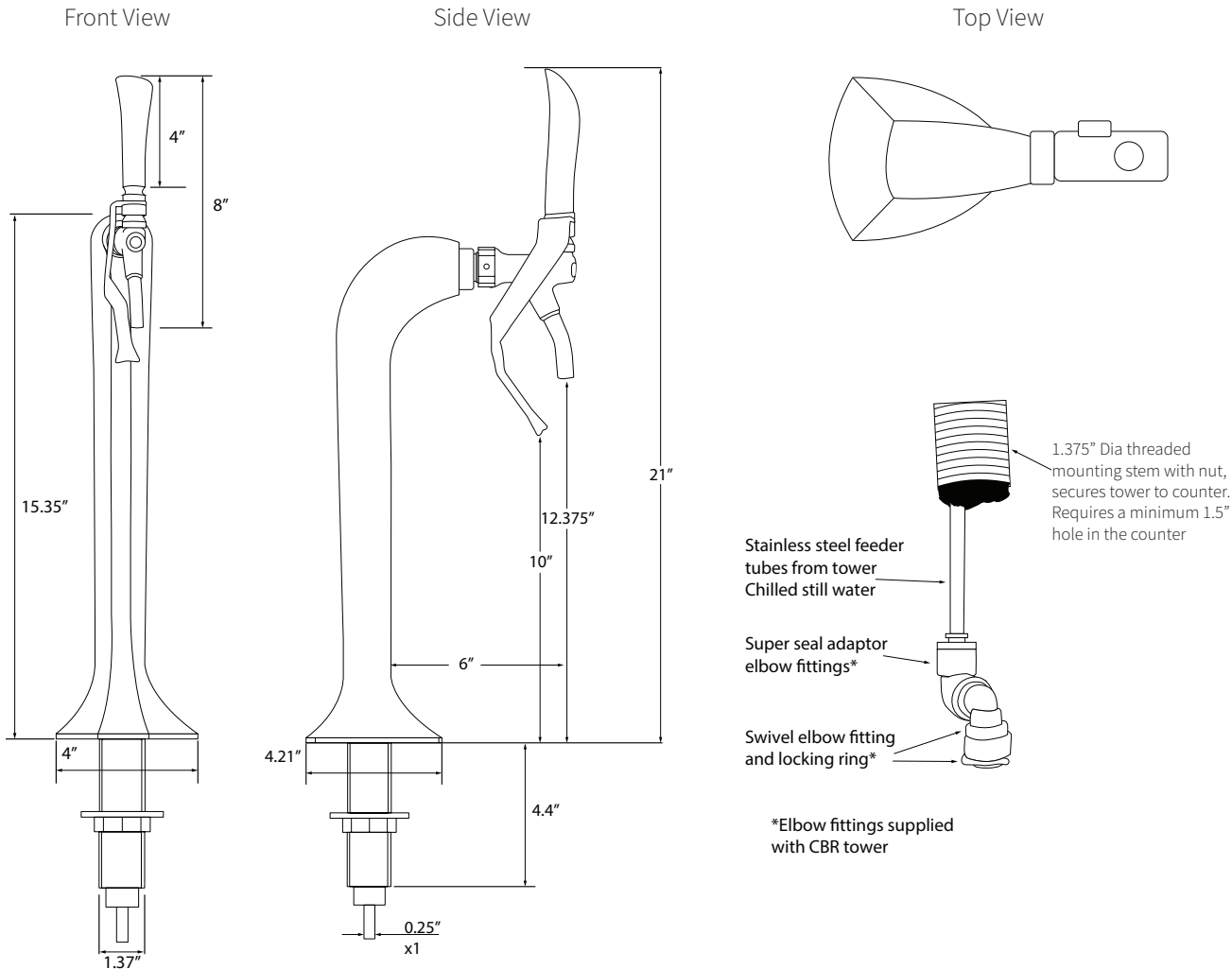
CBR-V1-SDLX

Single Valve Draft Tower with Sanitary Dispense Lever



Scan for more resources!

Line Drawings

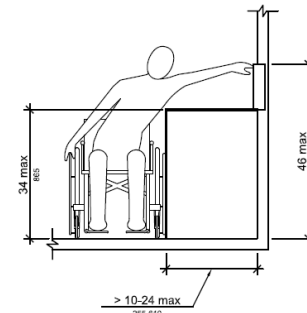
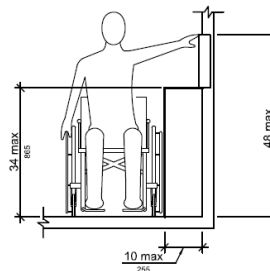


Width	4"
Height (including 4" tap handle)	21"
Lever activation height	10.25"
Bottle fill clearance	12.375"
Weight	10 lbs

Sanitary dispense lever (SDLX) is ideal for ADA-friendly self-service applications.

TYPICAL ADA REQUIREMENTS:

TYPICAL ADA REQUIREMENTS:



Issued 6/22/2026