

Project:



Scan for more info!

Owners manual
Quick install
Quick sizing
Install layout
Parts list

CBR-V1-SSX

**Draft tower, 1 valve pull handle
Self-closing faucet**

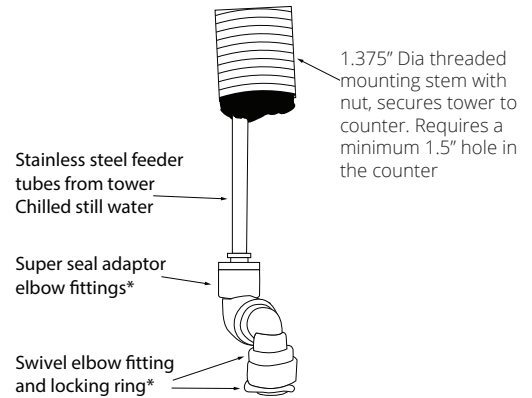
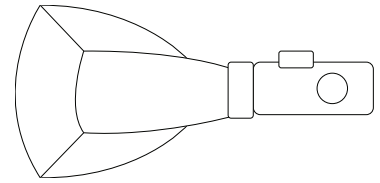
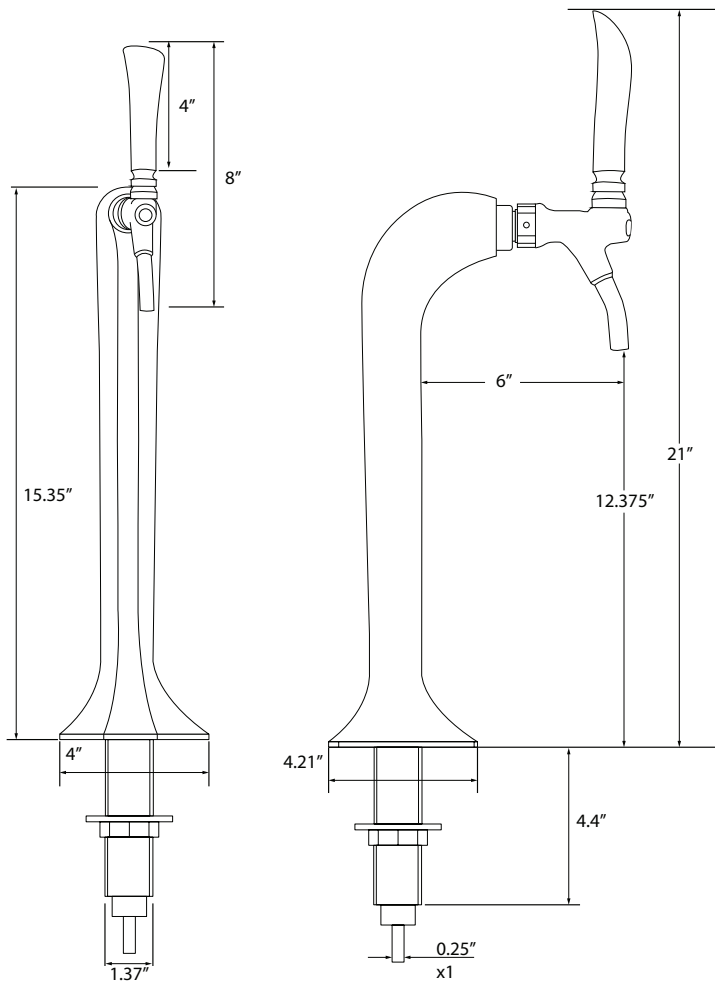


**Sparkling or chilled still water, single
faucet tower options:**

- CBR-V1C-SSX Chrome finish
- CBR-V1BLC-SSX Black Chrome finish

Specifications

- Featuring a stainless steel pull handle SSX faucet and all stainless steel tubing
- Flow rate is adjustable up to 2 oz per second and can be locked
- Self-closing when handle is released. Can be converted to stay-open function
- Downward pointing nozzle
- Bottle filling clearance: 12.375"
- Tower height (including 4" tap handle): 21"
- Ergonomic grip handle
- Supplied with quick connect fittings for easy hook-up to our CR-4L38 trunkline
- Comes with base gasket for water tight seal to counter
- For use and pairing with all Crysalli remote chillers
- Weight: 10 lbs



*Elbow fittings supplied with CBR tower

Accessories

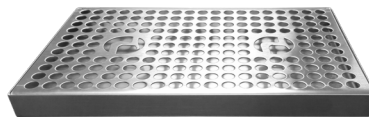
- **CR-100301-C**
Optional chrome handles:



- **CR-MDLN-V1**
Optional medallion kit:



- **DP-CT**
Stainless countertop mount drain pan



Configured with a 1/2" drain tube for direct plumbing

- **DP-CT-LD**
Drip pan, less drain, with rubber feet



- **CBR2-FKM-V2**
Install fitting kit for connecting two CBR-V2 towers to one remote UCM chiller



- **RDP-1SSQ-1CL**
Recessed drain pan



Overall 12" Wide x 15.125" Deep
Flush mount on counter with splash zone. Cup rest locators in drain grate. Requires square cut for drain pan and hole cut for tower

