

Project:



Scan for more info!

Owners manual
Quick install
Quick sizing
Install layout
Parts list

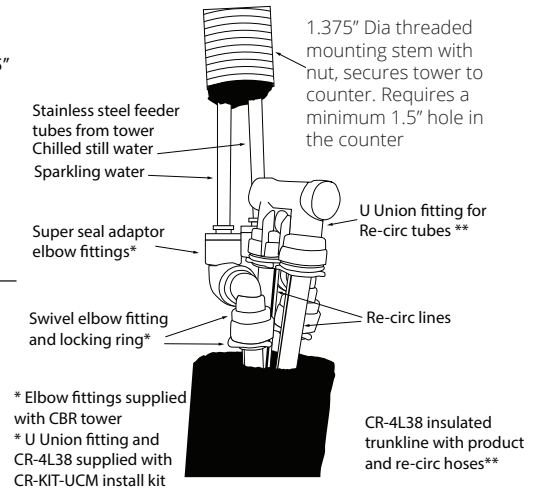
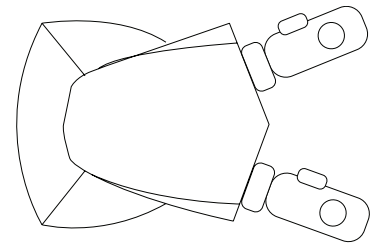
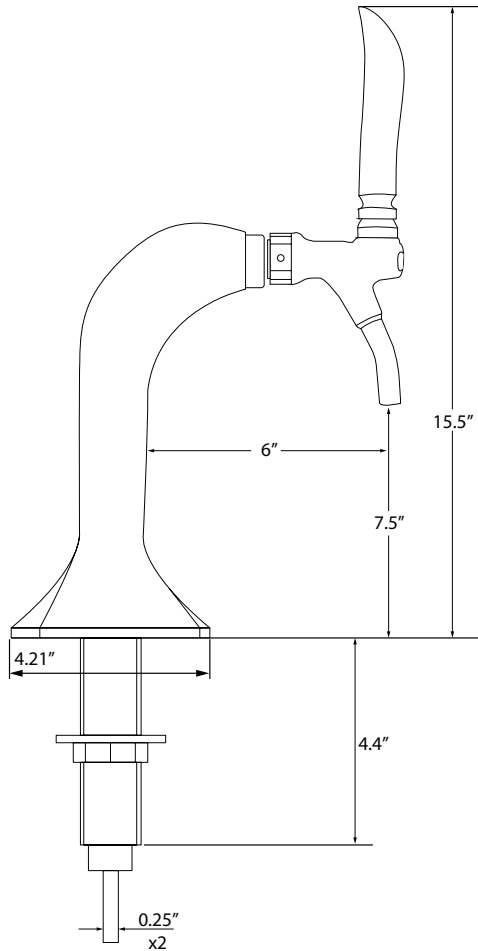
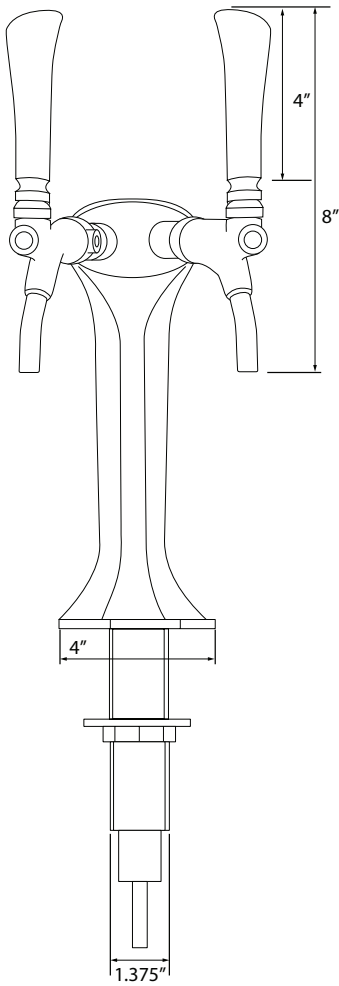
CBR-V2C-MINI-SSX Short height tower



Sparkling & chilled still water
Two faucet tower

Specifications

- Flow rate is adjustable to your liking and can be locked in a specific setting
- Faucet flow rate: 1.5-2 oz per second
- Two faucets for sparkling and chilled still water
- Height: 15.5"
- Bottle filling clearance: 7.5"
- Ergonomic handles
- Supplied with quick connect fittings for easy hook-up to our CR-4L38 trunkline
- For use and pairing with all Crysalli Remote Chillers
- Low profile design for positioning the tower over sinks, low overhead cabinet space, or on tall counters
- Weight: 11 lbs



* Elbow fittings supplied with CBR tower
 * U Union fitting and CR-4L38 supplied with CR-KIT-UCM install kit

Accessories

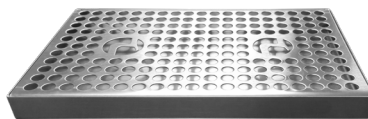
□ CR-100301-C

Optional chrome handles:



□ DP-CT

Drain pan countertop mount



Configured with a 1/2" drain stem for direct plumbing

□ RDP-1SSQ-2CL

Recessed drain pan



Overall 12" Wide x 15.125" Deep
 Flush mount on counter with splash zone. Cup rest locators in drain grate. Requires square cut for drain pan and hole cut for tower

□ CR-MDLN-V2

Optional medallion kit:



□ DP-CT-LD

Drip pan, less drain, with rubber feet



□ CBR2-FKM-V2

Install fitting kit for connecting two CBR-V2 towers to one remote UCM chiller

