

# CBR-V2C-MINI-SSX

Short Height, Two-Valve Draft Tower, Pull Handle, Self-Closing Faucets



Short height, two-valve draft tower designed for dispensing sparkling water and chilled still water in commercial beverage applications. Features 304 stainless steel, pull-handle, self-closing SSX faucets, all stainless steel tubing, and quick-connect hookup to CR-4L38 trunkline. Designed to pair with all Crysalli remote chillers.

## Features

- 304 Stainless steel, pull-handle SSX faucets
- 304 All stainless steel beverage tubing
- Adjustable flow up to 2 oz/sec and lockable
- Self-closing when handle is released
- Faucet convertible to manual open-close function
- Downward-pointing nozzle
- Bottle filling clearance: 7.5"
- Tower height: 15.5" including 4" tap handle
- Ergonomic grip handle
- Base gasket included for watertight counter seal
- Low-profile design for positioning the tower over sinks, low overhead cabinet space
- For use with all Crysalli remote chillers

## Accessories

- Handles:
  - CR-100301-C: Optional chrome handles
- Medallions:
  - CR-MDLN-V2: Optional medallion kit
- Drain pans:
  - DP-CT: Stainless countertop mount drain pan, 1/2" direct-plumb drain tube
  - DP-CT-LD: Drip pan, less drain, with rubber feet
  - RDP-1SSQ-2CL: Recessed drain pan, 12"W x 15.125"D, flush mount with splash zone and cup rest locators. Requires square cut for drain pan and hole cut for tower
- Install kit:
  - CBR2-FKM-V2: install fitting kit for connecting two CBR-V2 towers to one remote UCM chiller



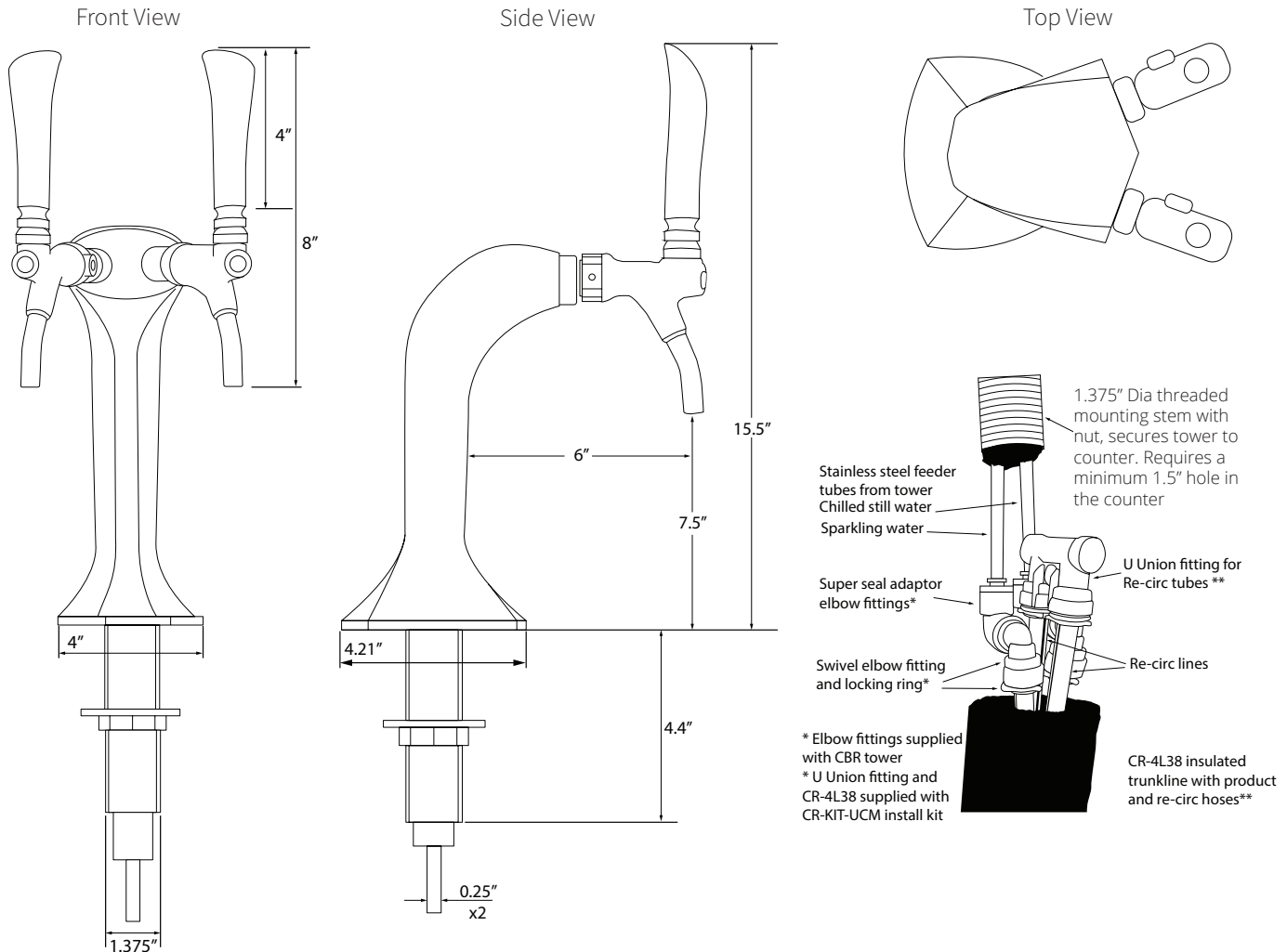
# CBR-V2C-MINI-SSX

Short Height, Two-Valve Draft Tower, Pull Handle, Self-Closing Faucets



Scan for more resources!

## Line Drawings



Width	4"
Height (including 4" tap handle)	15.5"
Bottle fill clearance	7.5"
Weight	11 lbs