

CBR-V1C-MINI-SSX

Short Height, Single-Valve Draft Tower, Pull Handle, Self-Closing Faucet







Short height, single-valve draft tower designed for dispensing sparkling water or chilled still water in commercial beverage applications. Features a 304 stainless steel, pull-handle, self-closing SSX faucet, all stainless steel tubing, and quick-connect hookup to CR-4L38 trunkline. Designed to pair with all Crysalli remote chillers.

Features

- 304 Stainless steel, pull-handle SSX faucet
- 304 All stainless steel beverage tubing
- Adjustable flow up to 2 oz/sec and lockable
- Self-closing when handle is released
- Faucet convertible to manual open-close function
- Downward-pointing nozzle
- Bottle filling clearance: 5.5"
- Tower height: 13.5" including 4" tap handle
- Ergonomic grip handle
- Base gasket included for watertight counter seal
- Low-profile design for positioning the tower over sinks, low overhead cabinet space
- For use with all Crysalli remote chillers

Accessories

- Handles:
 - CR-100301-C: Optional chrome handles 
- Medallions:
 - CR-MDLN-V1: Optional medallion kit 
- Drain pans:
 - DP-CT: Stainless countertop mount drain pan, 1/2" direct-plumb drain tube 
 - DP-CT-LD: Drip pan, less drain, with rubber feet
 - RDP-1SSQ-1CL: Recessed drain pan, 12"W x 15.125"D, flush mount with splash zone and cup rest locators. Requires square cut for drain pan and hole cut for tower
- Install kit:
 - CBR2-FKM-V2: install fitting kit for connecting two CBR-V2 towers to one remote UCM chiller 



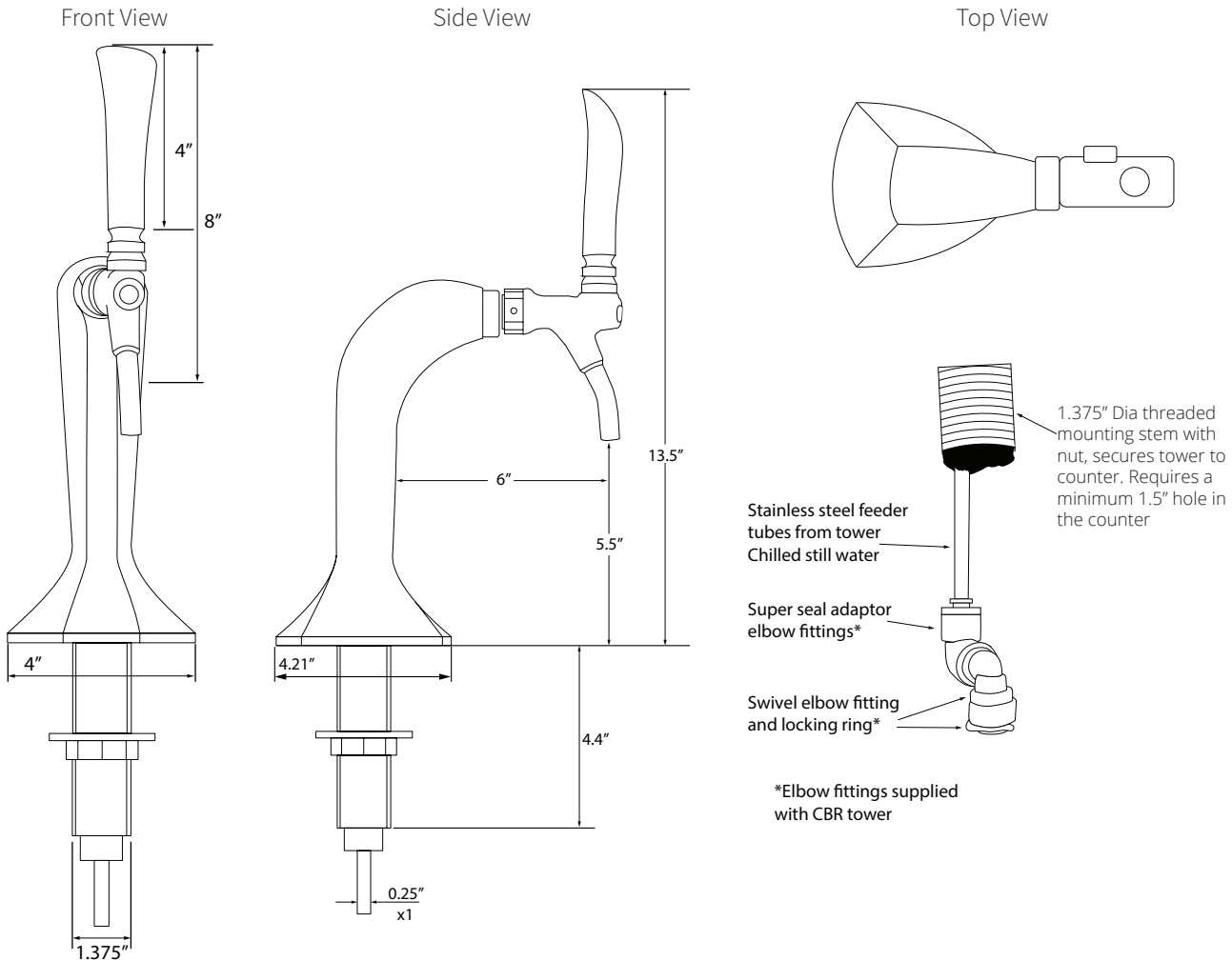
CBR-V1C-MINI-SSX

Short Height, Single-Valve Draft Tower, Pull Handle, Self-Closing Faucet



Scan for more resources!

Line Drawings



Width	4"
Height (including 4" tap handle)	13.5"
Bottle fill clearance	5.5"
Weight	8 lbs