



Under-counter/in-cabinet mounting and ventilation

CR-UCM2 Series Chiller using Air Baffle - CR-ABUCM

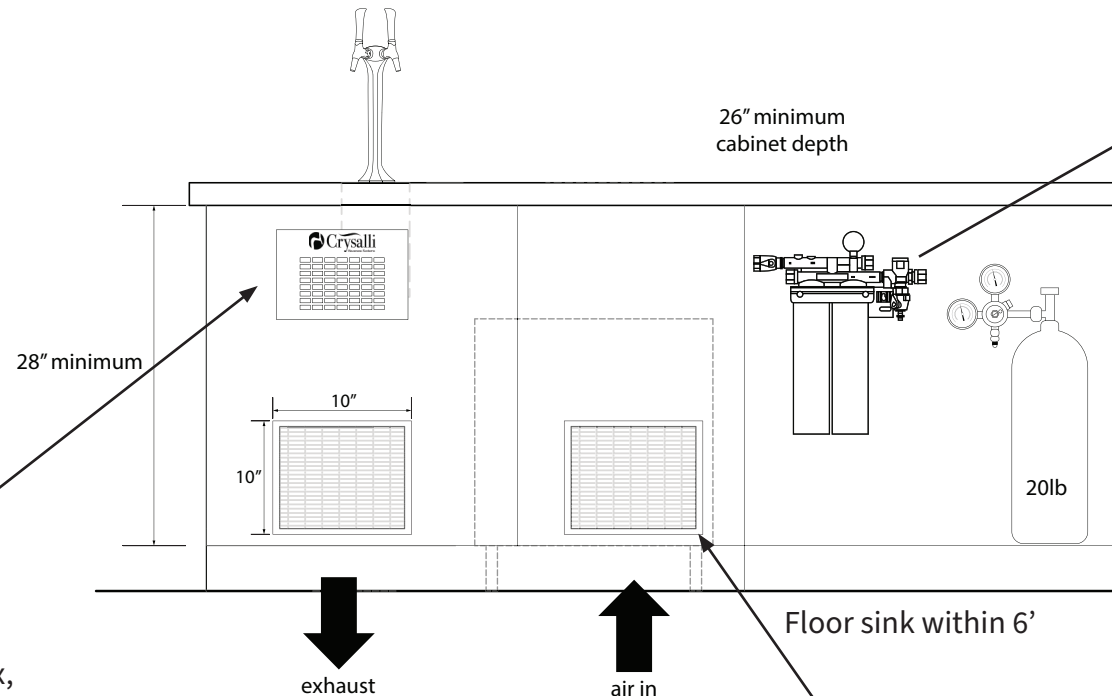
The Crysalli CR-UCM2 series remote chillers can be installed under-counter/in-cabinet or remotely up to 75ft. from the point of dispense. Care must be taken to ensure proper cabinet venting to avoid recirculation of hot air. Improper venting can cause damage to compressor.

CR-UCM2:

20" width x 20" depth x 20" height
1/3 HP, 2600 BTU per hour average
120v, 20 amp

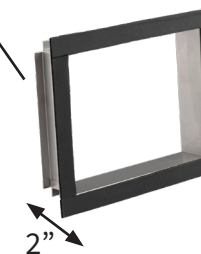


- Thermostatic fan box, part # CR-TFB1, is highly recommended when chiller is installed in cabinet.
- Helps to move and exhaust the hot air trapped in the cabinet.
- Should not be used in lieu of exhaust ventilation grill
- Requires 120v outlet



exhaust
Air exhaust grill Min:
70 sq./in open space
or 100 sq/in with 30%
restrictions

air in
Air intake grill Min:
50 sq./in open space
or 70 sq/in with
30% restrictions



The air baffle, part # CR-ABUCM, minimizes recirculation of hot air

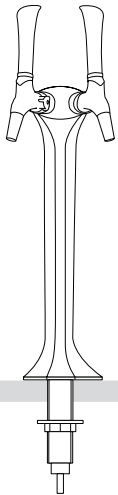
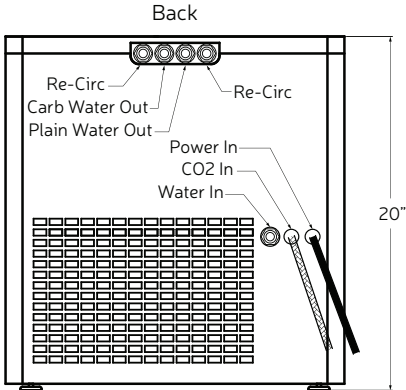
Air intake grill should mate up directly with the air baffle gasket. Air baffle adds 2" of depth

Crysalli filtration
System part # CR-24FC
***Water filtration system and CO2 supply should be installed within 6' of the chiller.

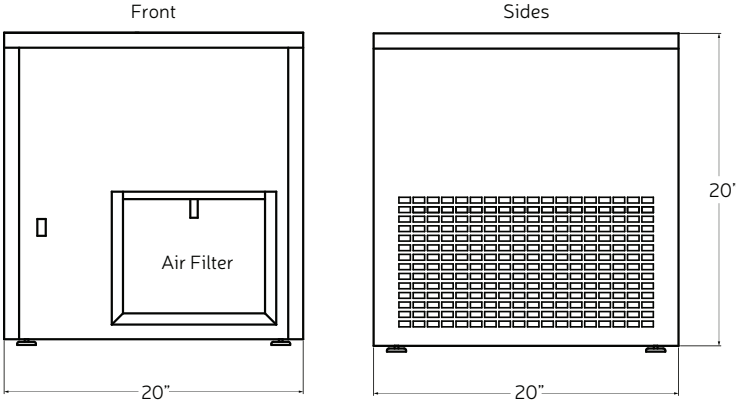
CR-UCM2 Electrical notes:
Use with a dedicated circuit GFI outlets are not recommended since they have the tendency to trip when the compressor turns on.

CR-UCM2 Chiller

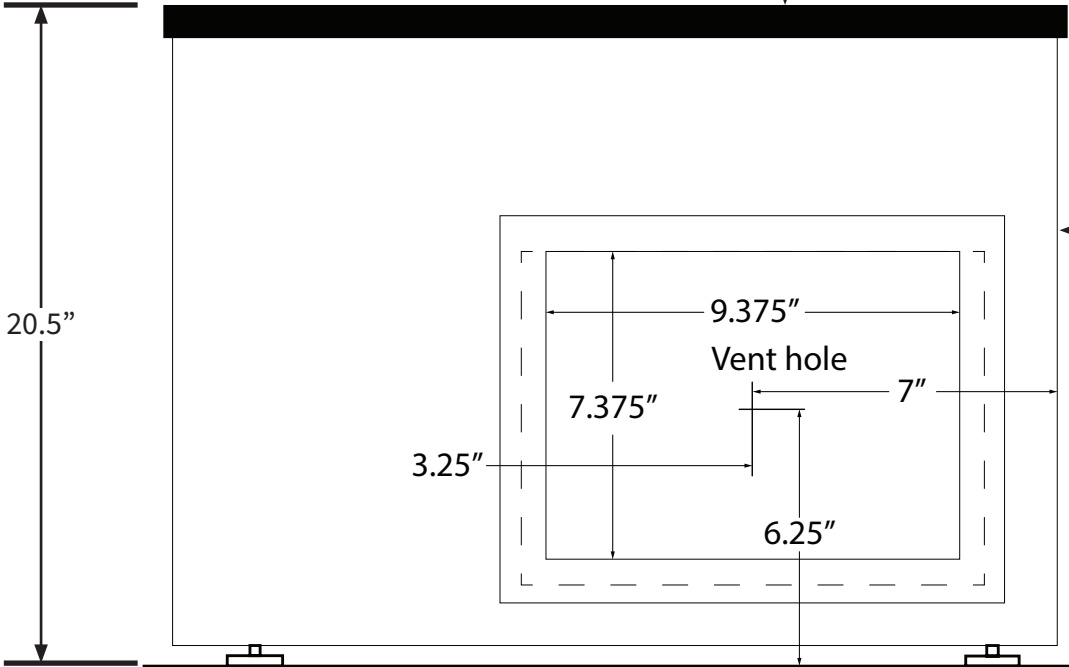
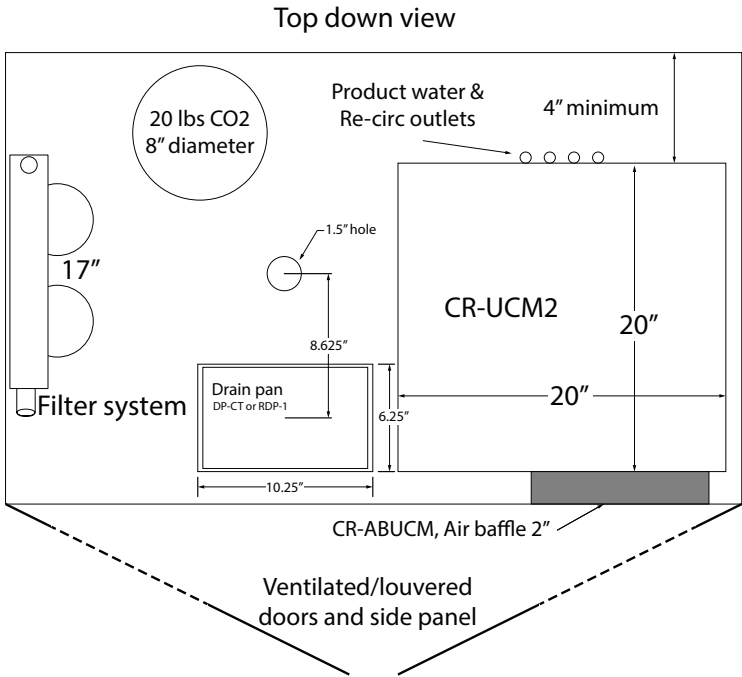
All inlet and outlet connections to dispense tower are on the back.



The tower should be mounted, offset, to the left or right of the chiller.



8" Allow 8" of clearance above chiller to remove lid and access water bath



Allow a minimum of 4" clearance on one side of the chiller and the rear

Floor of cabinet

Shown with standard 1" cushion levelling feet. Can be used with 4.5" leg kit, S0747-SET



Crysalli Beverage Systems
www.crysalli.com
510.732.0100