

Project:



**Scan for more info!**

Owners Manual  
Quick Install  
Quick Sizing  
Install Layout  
Parts List

## CR-CPSW-DI Drop In Cold Plate System with Integrated Draft Tower

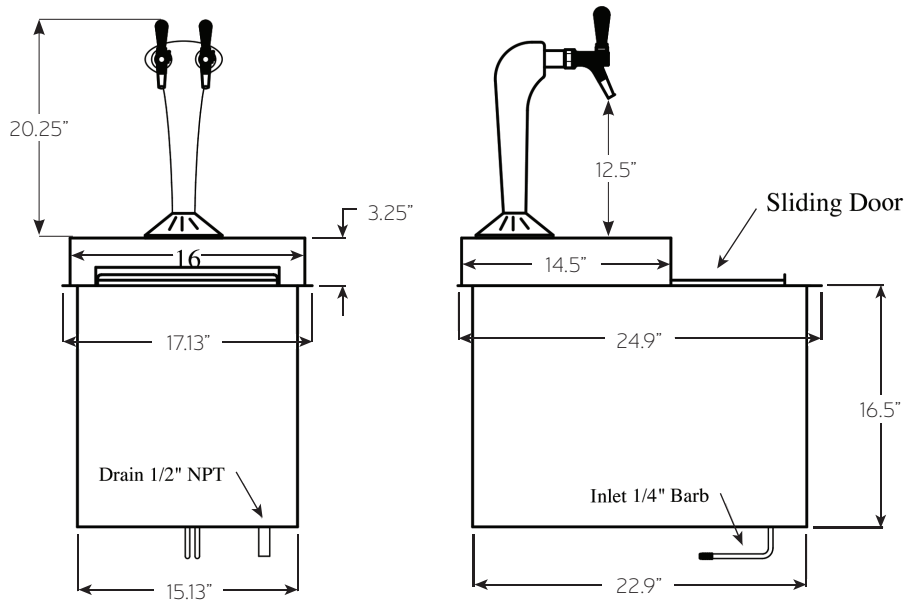


### Sparkling & Chilled Water on Tap

- Non-mechanical, ice cooled chilling. Manual fill
- All stainless steel construction
- CBR-V2 Cobra style draft tower built in
- Flow rate adjustable faucets
- Plug & play design. Shipped fully assembled
- Available as a free standing unit: CR-CPSW-FS

### Specifications

- Two faucet draft tower
- Ice bin: 40 lbs
- 17.13"W x 24.9"D x 40"H
- Weight: 90 lbs
- Clearance: 12.5"
- Unit Requires Countertop Cut Out
- Top Lip Trim Dimensions: 17.125"W x 24.875"D
- Countertop Cut Out Dimensions: 15.375"W x 23.375"D



- 3/8" Water inlet connector
- 3/8" Drain Pan hose 6'

- 1/2" Ice Bin Drain fitting
- Slide open bin door

## Accessories:

### □ CR-KIT-CPS

Installation Kit for CR-CPS model series, includes: water filter fittings, 50 psi water pressure reducer valve, angle stop adaptor and 8' 3/8 hose



### □ CR-24FCP with Prefilter

### □ CR-24FC without Prefilter

Twin filter system with compact fibredyne filters, 19"H x 17"W 5 gpm, 30,000 gal, TOC & 1/2 micron filtration



NSF Certified under NSF/ANSI Standard 18

